

Fujifilm Digital Minilab Frontier 550/570 Main Specifications

| | Input source | Print sizes | Paper widths | Frontier 550 | Frontier 570 |
|--|--|--|--------------|------------------------|------------------------|
| Processing capacity | 135 | 3R | 127 mm | Approx. 1350 prints/hr | Approx. 1800 prints/hr |
| | | 4R | 152 mm | Approx. 1210 prints/hr | Approx. 1800 prints/hr |
| | | 12R | 305 mm | Approx. 100 prints/hr | Approx. 100 prints/hr |
| | Advanced Photo System (IX240) | 3R C/H/P-mixed-format prints; 25 exp. roll and index print | 89 mm | Approx. 34 rolls/hr | Approx. 50 rolls/hr |
| Printable films (using standard or optional film carriers) | Media Prints (digital still cameras with 2.5 million pixels) | 3R | 127 mm | Approx. 1350 prints/hr | Approx. 1800 prints/hr |
| | | 4R | 152 mm | Approx. 1210 prints/hr | Approx. 1700 prints/hr |
| Print sizes | 82.5 x 117 mm ~ 305 x 457 mm | | | | |
| Processing chemicals | Chemical system CP-49E | | | | |
| Footprint space | ■ Input unit (SP-3000) : Approx. 0.7 m ² ■ Output unit (LP-5500/LP-5700) : Approx. 1.2 m ² | | | | |

Input unit **SCANNER & IMAGE PROCESSOR** Frontier 550 and Frontier 570 (SP-3000)

Type: Floor-type, independent scanner.
 Scanning section: Area CCD with precision pixel shifting system
 Film carriers:

- 135/IX240 automatic film carrier (standard)
135F/P/Hv/135H (optional); Color/black-white negative, color reversal; Piece and strip film.
IX240: Color/sepia negative, color reversal; Cartridge and strip film.
- Multi-film carrier MFC10AY (optional)
110, Advanced Photo System (IX240), 135F, 135P, 135 half, 135FP, 120/220 (6 x 4.5, 6 x 6, 6 x 7, 6 x 8, 6 x 9), 135 reversal mount.

 Image Processing: Optimal color reproduction processing, color gradation control, facial expression enhancement, hyper-tone processing, hyper-sharpness processing, monotone finishing, retouching function (dust or scratches on film can be erased automatically in printing), soft focus, red-eye correction processing, and others.
 Display: 17-inch CRT or LCD color display
 Multi-frame display capability (standard 6-frame display, can be set to display single frame or six frames)
 Input light source: LED
 Power requirements: AC100-240V (50/60Hz), 1.0KVA
 Dimensions: 890 (W) x 770 (D) x 1208 (H) mm
 Weight: Approx. 118 kg (with NC 100AY and 17-inch CRT display).

Output unit **LASER PRINTER/PAPER PROCESSOR** Frontier 550 (LP-5500) and Frontier 570 (LP-5700)

Type: Floor-type, normal light operation (laser printer, processor, cutter, sorter in one unit).
 Exposure system: Scanning exposure system using RGB lasers.
 Paper magazines: Two switchable paper magazines (standard accessory).
 Paper: FUJICOLOR paper (silver-halide).
 Paper widths: 8.9, 10.2, 11.7, 12.7, 15.2, 20.3, 21.0, 25.4, 27.9, 29.7, 30.5 cm.
 Back printing: Two 40-character lines in backside print of information.
 Front printing: Time and date of photograph in black characters in lower-right corner on prints from Advanced Photo System (IX240) cartridge film.
 Index print: Color index print and normal prints can be printed from Advanced Photo System/135 (color negative and sepia) film in one pass (by RGB laser exposure).
 Printer sorter:

- 550: SU800AY, sorting capacity: 8 orders of C/H/P-mixed format prints.
- 570: SU1400AY, sorting capacity: 14 orders of C/H/P-mixed format prints.
- SU2400AY, sorting capacity: 24 orders of C/H/P-mixed format prints.


 Printer condition setup: Semi-automatic calibration by AD300 calibrator.
 Processor carriage: Multi-line, sheet carriage.
 Processing time: Dry-to-dry: 1 min. 22 sec.
 Power requirements: AC200-240V (50/60Hz) Single-phase 24A, Three-phase four-wire, 17A approx. 4.8KVA.
 Dimensions:

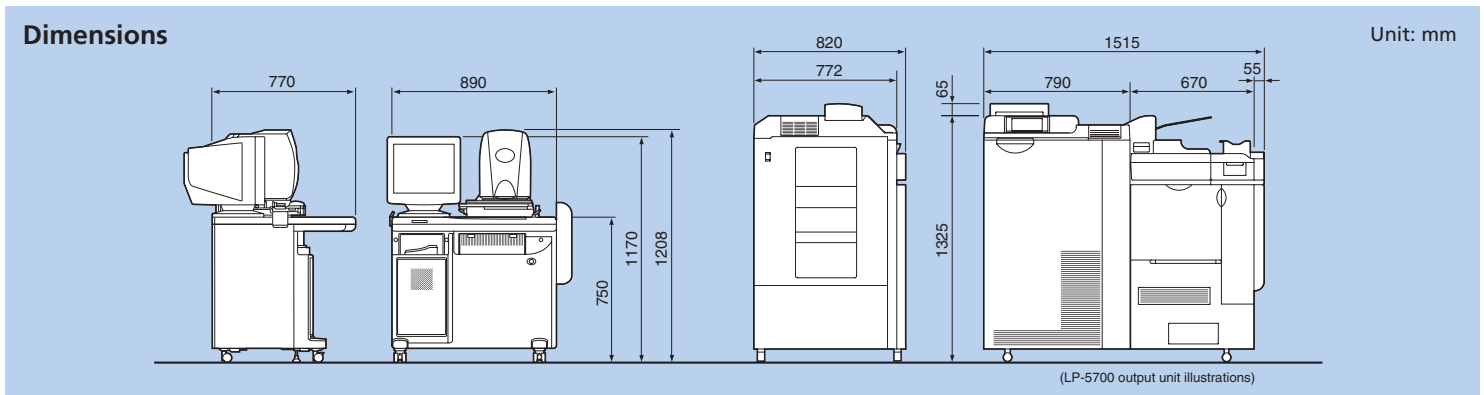
- 550 (with 8-order sorter): 1515 (W) x 820 (D) x 1390 (H) mm.
- 570 (with 14-order sorter): 1515 (W) x 820 (D) x 1390 (H) mm.

 Weight:

- 550 (with 8-order sorter): Approx. 460 kg (510 kg during actual operation)
- 570 (with 14-order sorter): Approx. 470 kg (520 kg during actual operation)

Performance varies depending on processing capabilities of the Imaging Controller.
 Specifications are subject to change without notice.
 All brand names or trademarks are property of their respective owners.

 The Frontier 550/570 have received the UL/CUL/CE Marks for meeting high safety standards.



FUJI PHOTO FILM CO., LTD.

26-30, NISHIAZABU 2-CHOME, MINATO-KU, TOKYO 106-8620, JAPAN